

# COMPONENTI / COMPONENT PARTS SP. 81



**CARRELLO/TROLLEY SP. - DSP. - PSP. 81**



MOD	B	C	S
100	40	95	96.5
125	46	120	121.5
150	53	145	148.5
200	67	195	185

**GANASCIA A GRADINO/STEPPED JAW SP. 81**



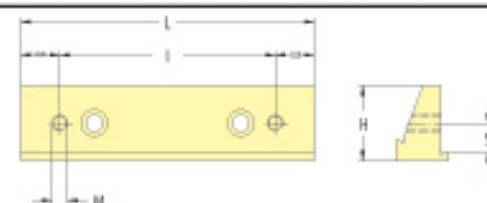
MOD	A	B	H	L
100	4	4	28	100
125	4	4	32	125
150	5	4	38	150
200	5	4	47	200

**GANASCIA A V/V-JAW SP. 81**



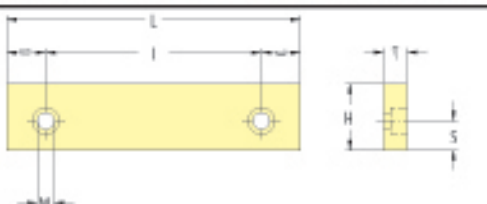
MOD	L	H	U	V
100	100	28	20x110i	12x110i
125	125	32	20x110i	12x110i
150	150	38	20x110i	14x110i
200	200	47	20x110i	14x110i

**GANASCIA PORTA BLOCCHETTO/BLOCK CARRIER JAW SP. 81**



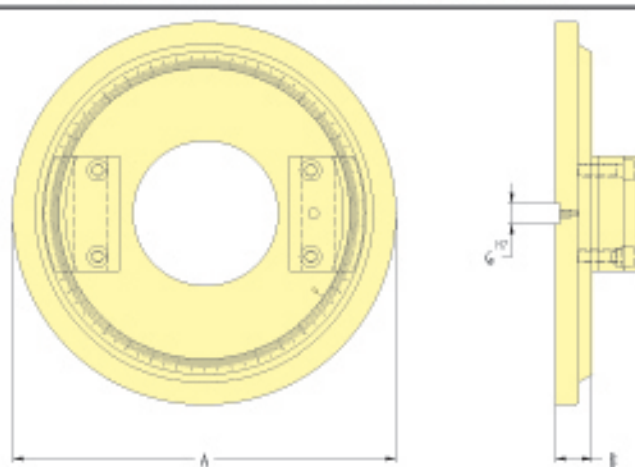
MOD	L	H	I	S	M
100	100	28	75	10	M6
125	125	32	90	12	M6
150	150	38	110	15	M8
200	200	47	100	19.5	M8

**BLOCCHETTO TENERO/SOFT BLOCK SP. 81**



MOD	L	H	I	S	M	T
100	100	24	75	10	x M6	10
125	125	28	90	12	x M6	10
150	150	34	110	15	x M8	12
200	200	43	100	19.5	x M8	12

**BASE GIREVOLE/ROTATING BASE SP. 81**



MOD	A	B	G
100	∅205	23	14
125	∅238	27	14
150	∅293	28	16
200	∅343	34	16