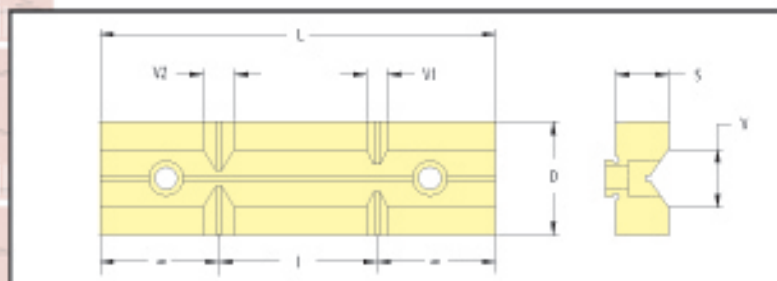




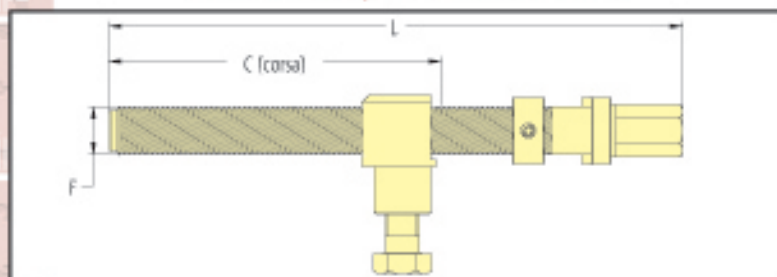
COMPONENTI / COMPONENT PARTS GM. 75-PIG 83

GANASCIA A V/V-JAW GM. 75 - FIG. 83



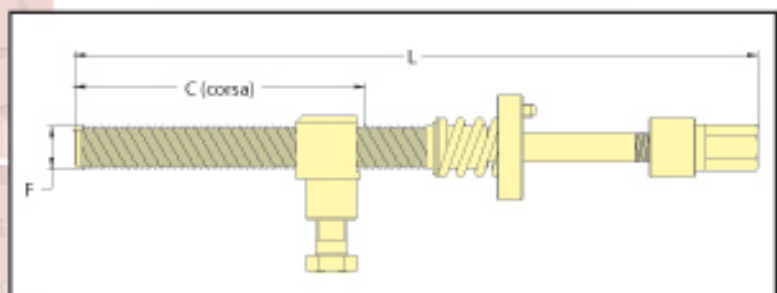
MOD	D	I	L	S	V	V1	V2
100	33	28	100	15	18x110l	6x110l	10x110l
120	37	48	120	15	18x110l	6x110l	10x110l
150	43	60	150	15	18x110l	8x110l	12x110l
200	48	60	200	20	22x110l	11x110l	15x110l

GRUPPO VITE/SCREW UNIT GM.75



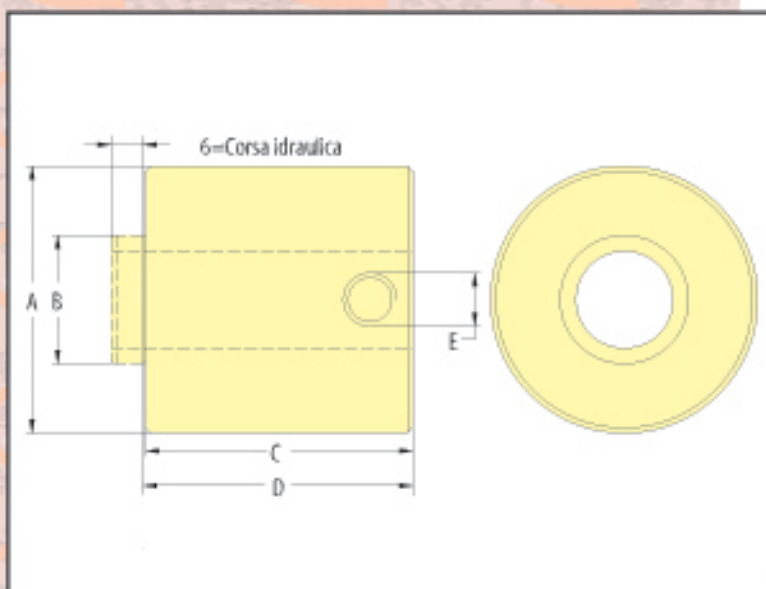
MOD	C	F	L
100	98	M20	202
120	119	M20	230
150	151.5	M20	286
200	201.5	∅24 TpN	348

GRUPPO VITE/SCREW UNIT FIG. 83



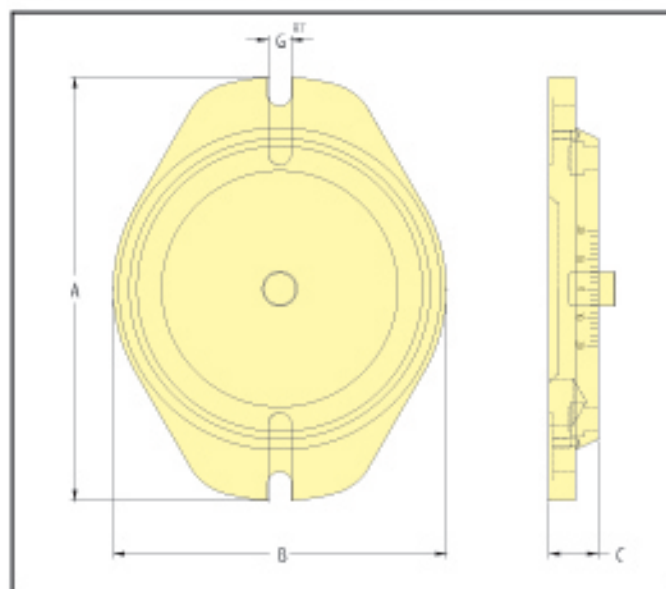
MOD	C	F	L	Corsa olio
100	97	M20	271.5	6
120	119	M20	299.5	6 12
150	151.5	M20	359.5	6
200	201.5	∅24 TpN	435	6

CILINDRO/CYLINDER FIG. 83



MOD	A	B	C	D	E
100	∅50	∅24	50	50.5	1/8
125	∅50	∅24	50	50.5	1/8
150	∅70	∅35	52	52.5	1/8
200	∅83	∅40	62	62.5	1/4

BASE GIREVOLE/ROTATING BASE GM. 75 - FIG. 83



MOD	A	B	C	G
100	220	168	27	14
120	238	185	28	14
150	294	231	34	16
200	358	295	34	16