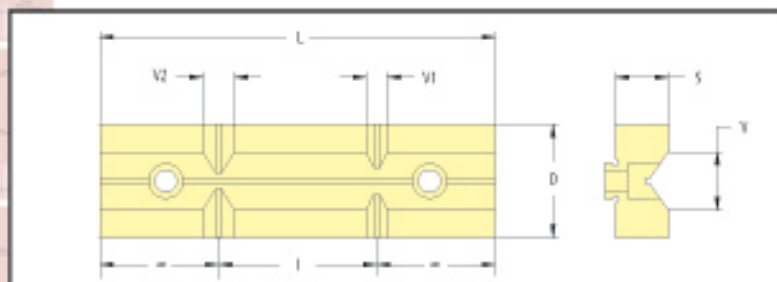




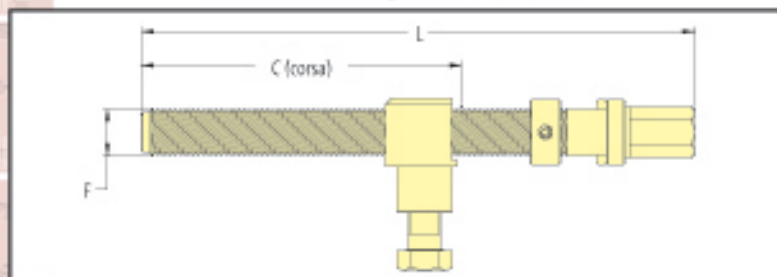
COMPONENTI / COMPONENT PARTS AC-PIA. 83

GANASCIA A V / V-JAW AC - PIA. 83



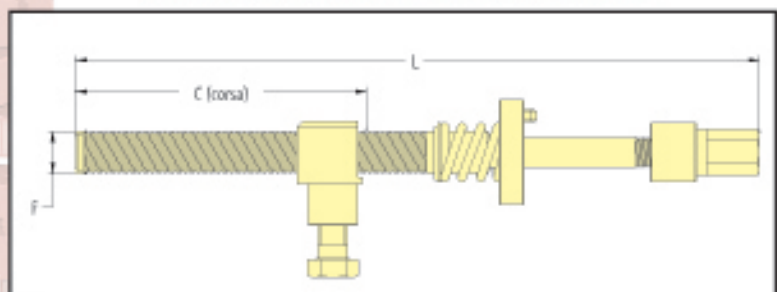
MOD	D	I	L	S	V	V1	V2
100	37	28	100	15	18x110I	6x110I	10x110I
125	37	48	125	15	18x110I	6x110I	10x110I
150	43	60	150	15	18x110I	8x110I	12x110I
200	48	60	200	20	22x110I	11x110I	15x110I
250	56	80	250	20	22x110I	12x110I	16x110I

GRUPPO VITE/SCREW UNIT AC



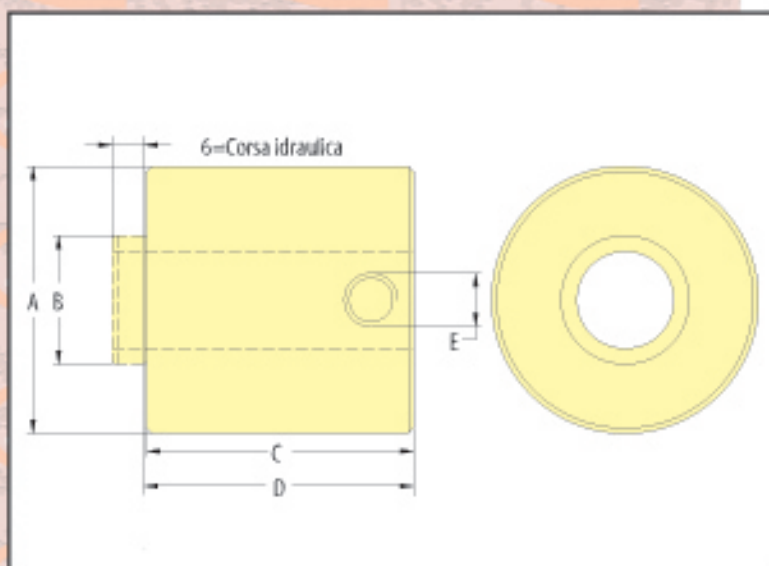
MOD	L	C	F
100	220	121.5	M20
125	240	139	M20
150	286	168.5	M20
200	348	218.5	∅24 TpN
250	486	346	∅30 TpN

VITE CHIOCCIOLA/SCROLL SCREW PIA 83



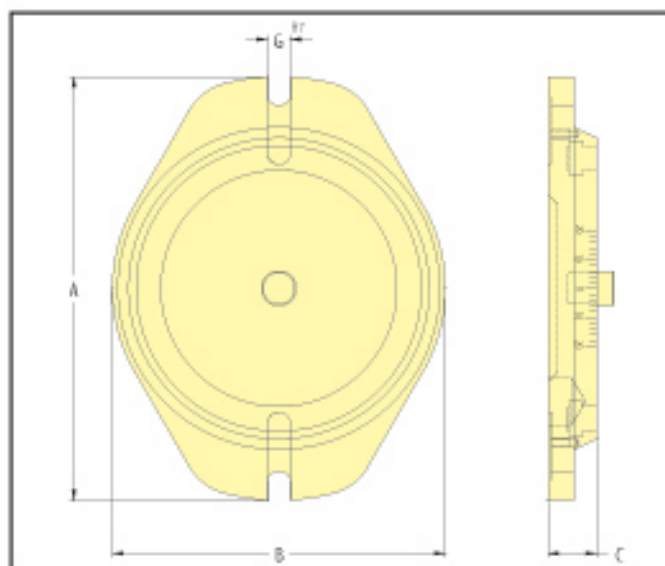
MOD	C	F	L	Corsa olio
100	120	M20	288	6
125	139	M20	327	6 12
150	168.5	M20	360	6
200	318.5	∅24 TpN	435	6

CILINDRO/CYLINDER PIA 83



MOD	A	B	C	D	E
100	∅50	∅24	50	50.5	1/8
125	∅50	∅24	50	50.5	1/8
150	∅70	∅35	52	52.5	1/8
200	∅83	∅40	62	62.5	1/4

BASE GIREVOLE/ ROTATING BASE AC - PIA 83



MOD	A	B	C	G
100	220	168	27	14
125	250	202	30	14
150	294	231	34	16
200	358	295	34	16
250	407	349	38	16